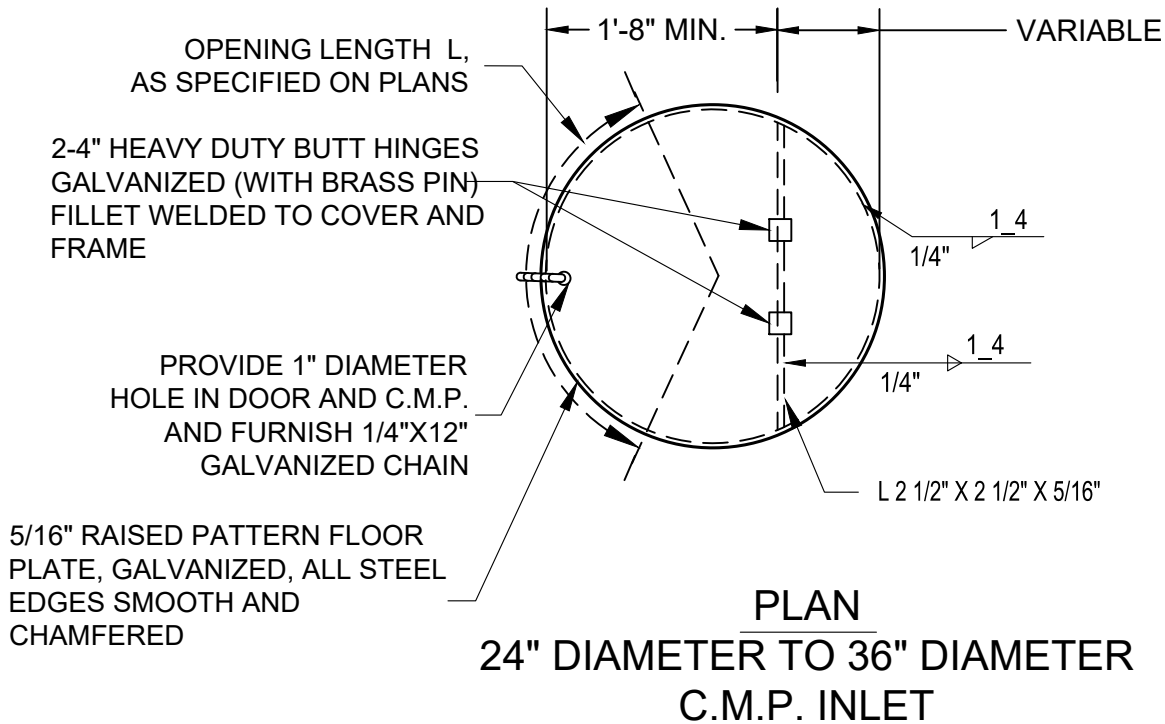


PLAN
42" DIAMETER TO 72" DIAMETER
C.M.P. INLET



PLAN
24" DIAMETER TO 36" DIAMETER
C.M.P. INLET

| | | | |
|---------------------|----|--------------|------|
| DATE: 09/22/2017 | | NOT TO SCALE | |
| REVISION | BY | APPROVED | DATE |
| | | | |
| | | | |
| | | | |

CITY OF ELK GROVE - PUBLIC WORKS

CORRUGATED METAL PIPE
DRAINAGE INLET
TYPE I (PG 1 OF 2)

APPROVED BY:
Robert Muddoch
 CITY ENGINEER

10/24/2018
 DATE

DRAWING NUMBER
SD - 21.1

